

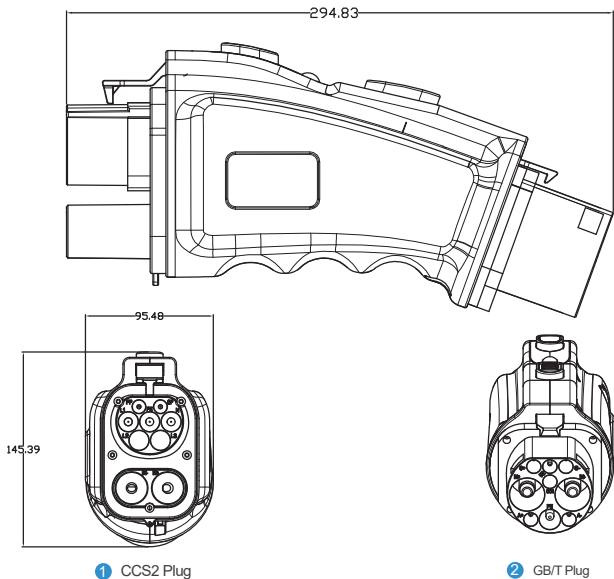
CCS 2 TO GB/T ADAPTER

CCS2 TO GB/T
User Manual



PRODUCTS :

- ★ Use only to connect the charging cable on a COMBO 2 charging station to a GB/T vehicle that has been enabled for DC charging. The location of the charge port will vary depending on your vehicle model. Refer to your GB/T vehicle's owner documentation for the location of the charge port and more detailed charging instructions.



TRAVEL STORAGE CASE :

- ★ Carton Packing Box



① Packing size (L* W* H): 350*172*115mm

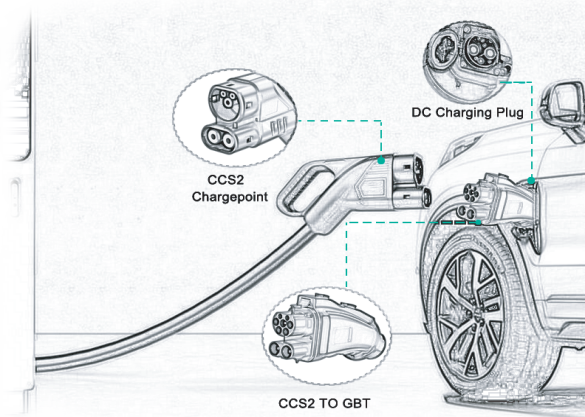
② Weight (kg/ pound): 2 kg

CHARGING TIME:

- ★ The product is only applicable to the COMBO2 charger station for the GB/T Vehicle DC fast charging. Different brands of GB/T Vehicle has different DC charger port location . Please refer to the user manual of the specific GB/T vehicle brand, find the corresponding DC charge port and understand its charging process.

★ The charging time depends on the available voltage and current of the charging station. Affected by various factors, charging time may also be affected by the temperature of the vehicle battery: too high or too low temperature of the vehicle battery may limit the charging current, or even do not allow charging to start. The vehicle will heat or cool the power battery before it is allowed to charge. For detailed information on charging performance parameters, please refer to the official website of your purchased GB vehicle.

HOW TO USE :



- ★ Initiate the charging process by ensuring your GB/T vehicle is in "p" (park) mode with the instrument panel turned off. Then, open the DC charging port on your vehicle.
- ★ Plug the GB/T connector into your GB/T vehicle. Wait for the COMBO 2 charging station to display "Inserted".
- ★ Connect the charging station's cable to the adapter. To do this, align the COMBO 2 end of the adapter with the cable and push until it clicks into place.
Note: The adapter features distinct "keyways" designed to align with the corresponding tabs on the cable.
- ★ Wait until the COMBO 2 charging station displays "Inserted", Start the charging process following the instructions displayed on the COMBO 2 charging station's interface.
- ★ Safety is paramount, so always adhere to the necessary precautions while using charging equipment to prevent accidents or damage to your vehicle or the charging station.

NOTES:

- Steps 2 and 3 can not be done in reverse order
- The operation of the COMBO 2 charging station will depend on different charging-station' s manufacturer. For details, refer to the COMBO 2 charging station's instructions.

SPECIFICATIONS :

- ★ Power : rated for up to 200kW.
- ★ Rated Current : 200A DC
- ★ Shell Material : PC+Silicon
- ★ Operating Temperature: -30°C to +50°C.
- ★ Storage Temperature : -40°C to 80°C
- ★ Rated Voltage: UP TO 1000V/DC.
- ★ Security : Single Temp. kill switch. Charging stops when adapter reaches 85°C.
- ★ Weight: 1.7kg (Single product) /2.1kg (With box)
- ★ Certification: CE
- ★ Degree of protection: IP55

(Protection from dirt, dust, oil, and other non-corrosive material. Complete protection from contact with enclosed equipment. Protection from water, up to water projected by a nozzle against enclosure from any direction.)

CAUTION :

- ★ It's not a toy, keep away from your children
- ★ Clean only with dry cloth
- ★ Avoid dismantling, dropping or heavy impact.

AFTER-SALES :

- ★ Our CCS2 TO GB/T charger adapters are fully tested and CE certified.

WARRANTY :

- ★ This product includes 1 year warranty.
- ★ In case of misuse, mishandling, negligence, vehicle accidents or modifications, the warranty will be voided. Our warranty only covers manufacturing defects.